



PEDESTAL INSTALLATION INSTRUCTIONS

! READ ALL INSTRUCTIONS BEFORE UNPACKING THE PRODUCT

INSTRUCTIONS THAT, IF IGNORED COULD RESULT IN DEATH OR SERIOUS INJURY CAUSED BY INCORRECT HANDLING OR INSTALLATION OF THE PRODUCT. THESE INSTRUCTIONS MUST BE OBSERVED FOR SAFE INSTALLATION.

CAUTION!  **TWO PERSON LIFT REQUIRED** **2 PEOPLE ARE REQUIRED TO LIFT AND DURING ENTIRE INSTALLATION OF THIS PRODUCT**

 **INSTALLATION OF THIS PRODUCTS BY AN INEXPERIENCED INSTALLER MAY RESULT PERSONAL INJURY OR DEATH!** 

We reserves the right to change, update, modify, alter, redesign this manual/product or its policies without prior notice!
It is your responsibility to visit website to download or contact customer service for the most updated version of the installation instructions.

We shall not be liable for any injuries or property damages in connection with this product during installation or use of this product!

This products must be installed by a fully insured and licensed plumber only. Installation of any our product by anyone other than fully insured and licensed plumber shall void limited warranty. We recommends that such licensed plumber have experience in the installation of products.

Limited warranty is void on any commercial installation.

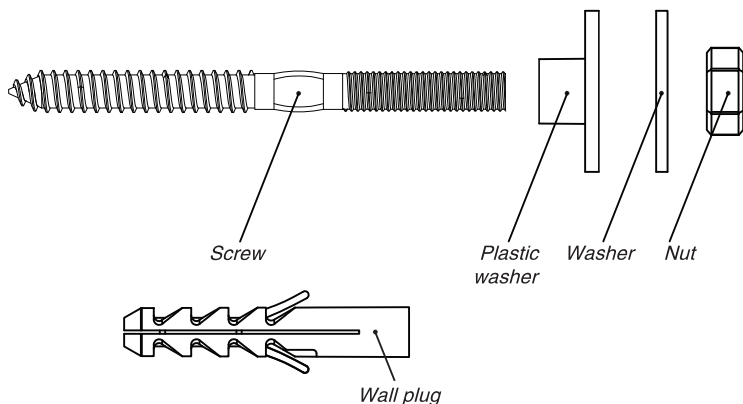
We are not responsible for local code compliance for this product. Building and plumbing codes may vary from state-to-state in accordance to your location. We are not responsible for providing any compliance certifications.

We are not responsible to provide any type of certifications for this product.

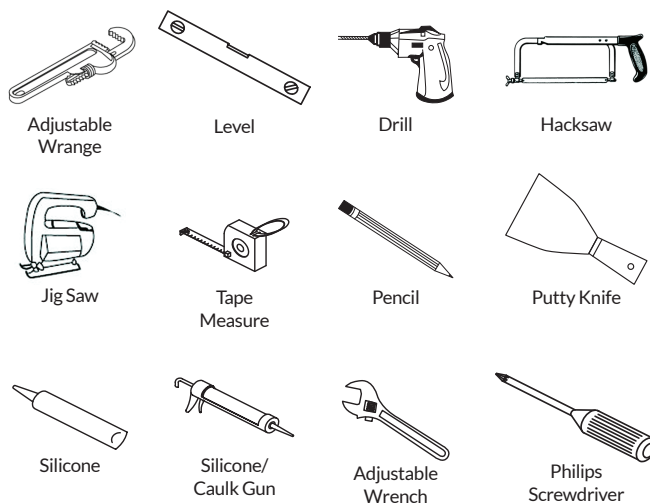
Under no circumstances we are shall not be liable for any and all incidental damages sustained in connection with this product Neither manufacture, nor distributor, nor retailer is responsible for water damage or flood caused due to use of this product.

Under no circumstances We shall not be liable for any and all fees, cost of installation/reinstallation/removal, subsequent damage or transportation in case of the product defect.

TOOLS REQUIRED FOR INSTALLATION

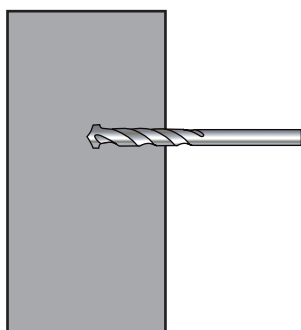


TOOLS REQUIRED FOR INSTALLATION

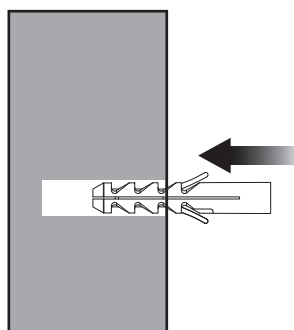


OTHER TOOLS MAY BE REQUIRED

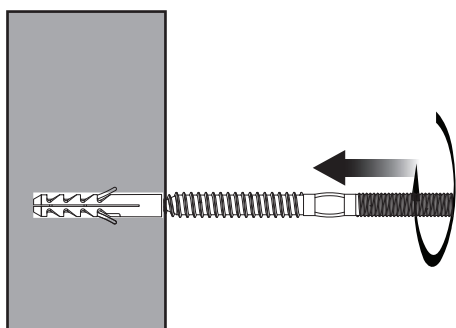
Note: The enclosed instruction is a suggested installation method for solid walls, the fixings shown are not supplied



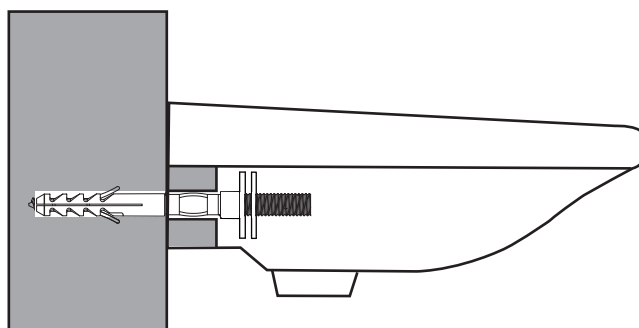
1. Drill two holes in the required position on the wall using a 14mm masonry drill bit to a depth of 75mm



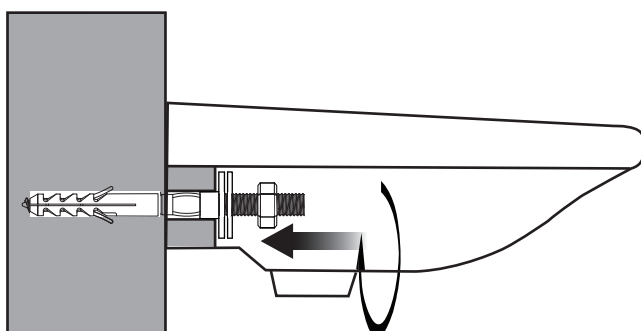
2. Push a wall plug into each hole



3. Screw a fixing bolt into each fixing plug using a 8mm spanner until the spanner contacts the wall



4. Place the basin in position against the wall, locating the fixing bolts through the holes in the rear of the basin. Push a plastic washer onto each fixing bolt



5. Screw a metal nut onto each fixing bolt to secure the basin. Caution: Do not over-tighten, as this may damage the ceramic

